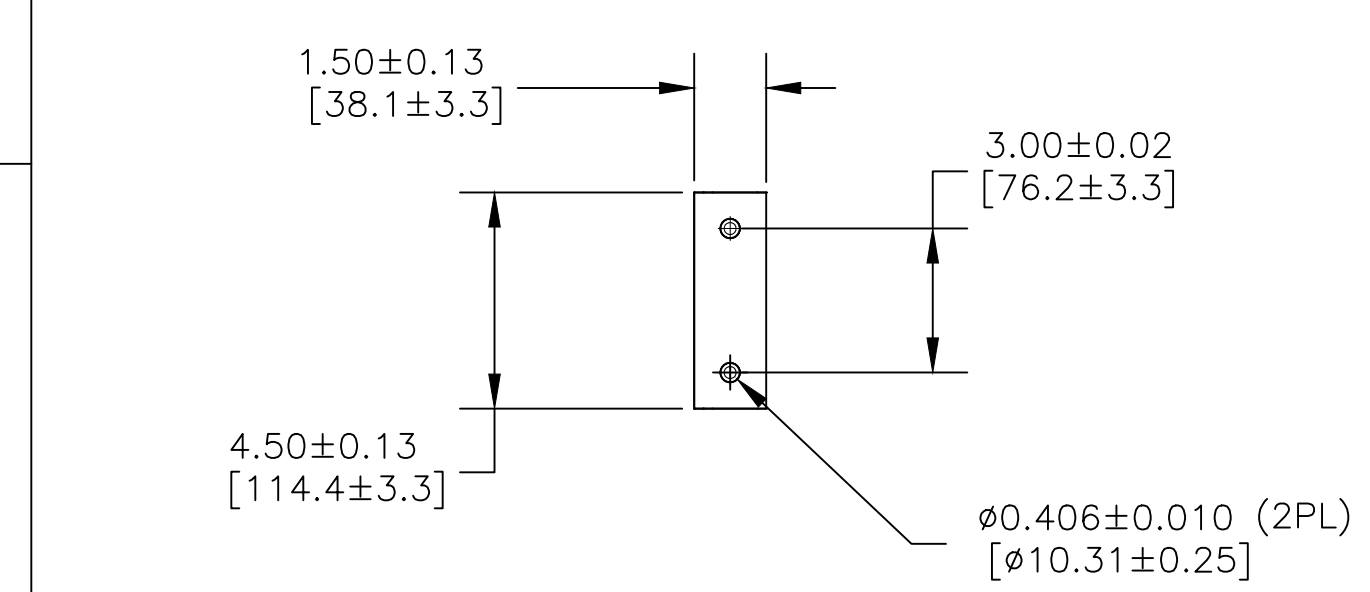
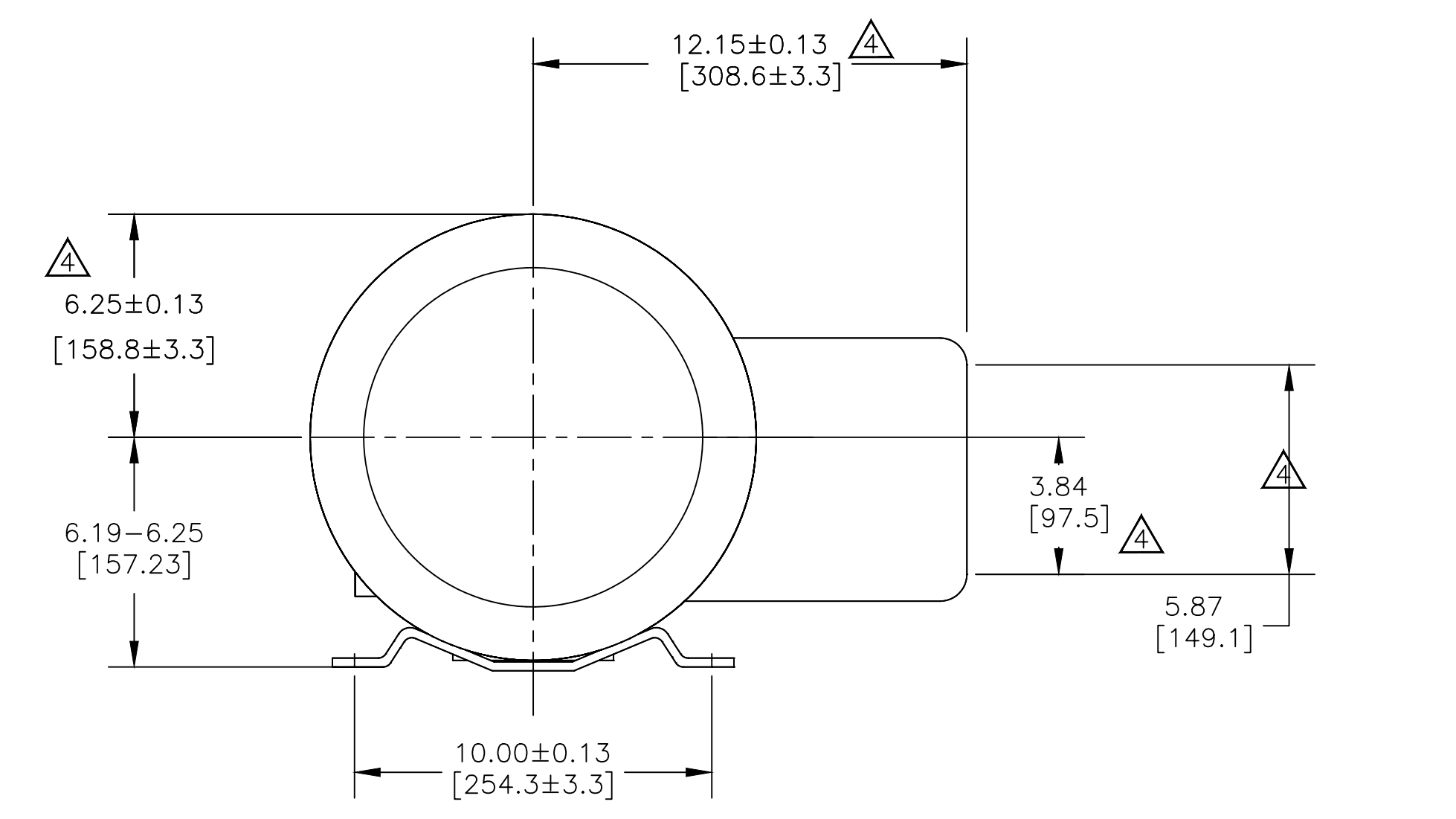
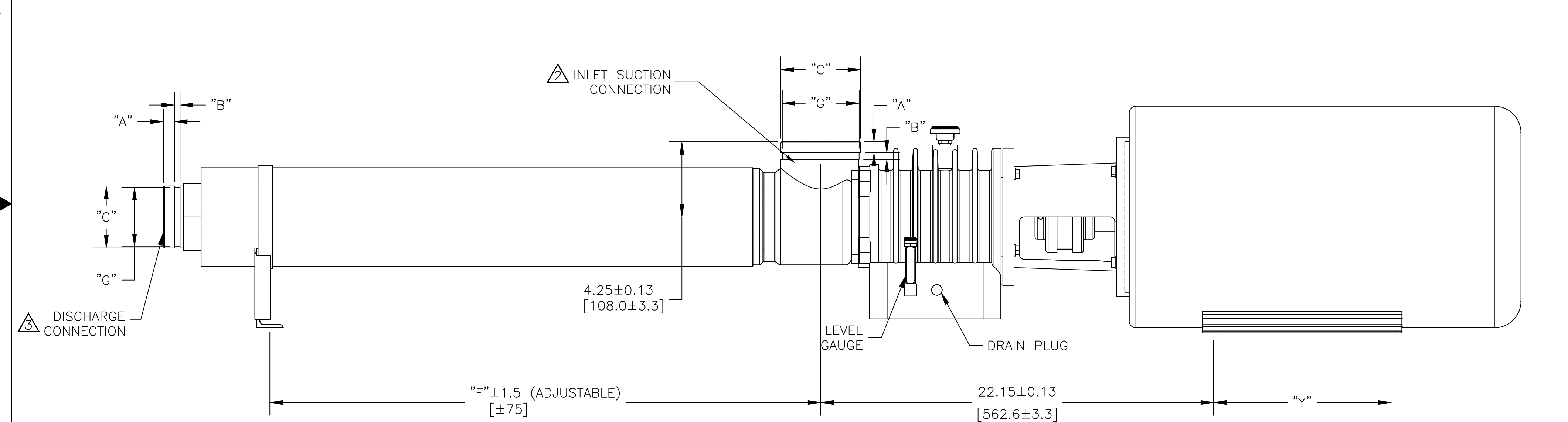
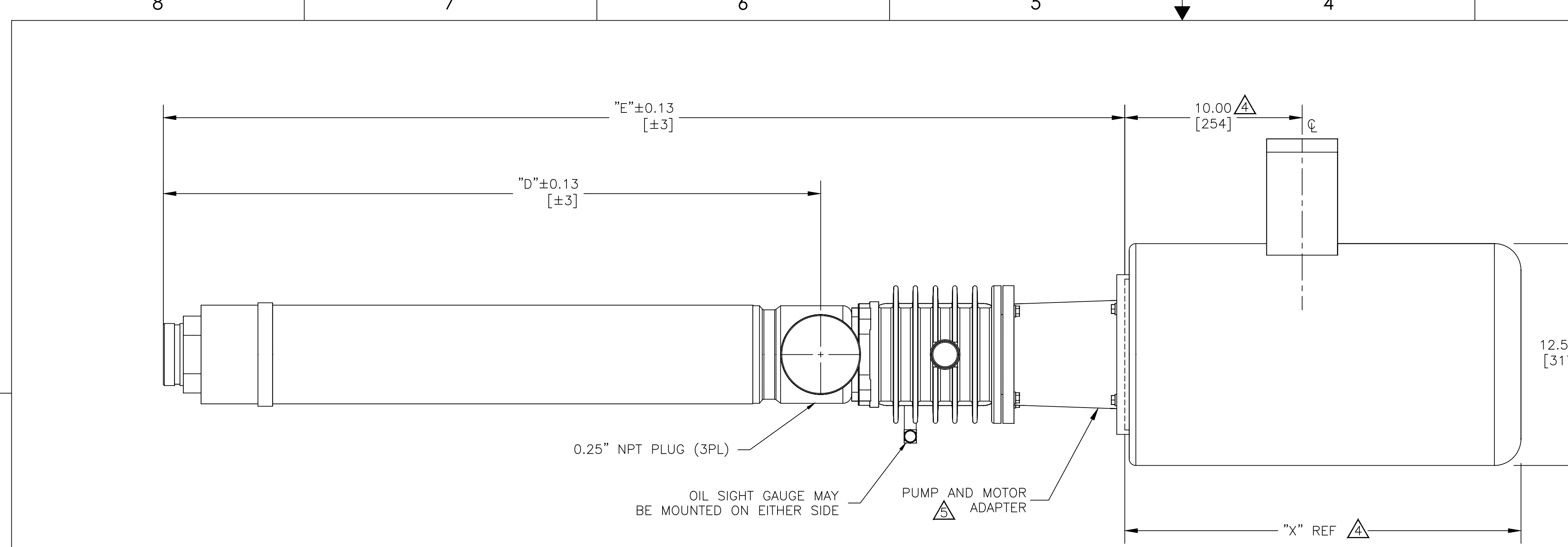


NOTES:

- 1 DIMENSIONS ARE IN INCHES [MILLIMETERS].
- 2 PUMP INLET CONNECTIONS MATE WITH 3-INCH VICTAULIC TYPE CLAMPED UNION
- 3 PUMP INLET MAY BE ROTATED IN 90° INCREMENTS.
- 4 PUMP DISCHARGE CONNECTIONS MATE WITH 3-INCH VICTAULIC TYPE CLAMPED UNION
- 5 TEFC GE 256TC MOTOR SHOWN, MOTOR DIMENSIONS WILL VARY WITH MANUFACTURER AND ARE SHOWN FOR REFERENCE ONLY.
- 6 PUMP AND MOTOR ADAPTER WILL ACCEPT NEMA 256TC FRAME 3565 RPM ELECTRIC MOTOR AND A FLEXIBLE COUPLING WITH THE END OF THE PUMP DRIVE SHAFT. THE 326TSC FRAME MOTORS MUST HAVE A BASE AND BE RIGIDLY MOUNTED. MOUNTING OF BEARING FRAME BASE IN A STRAIN-FREE MANNER IS OPTIONAL WITH 256TC FRAME MOTORS.
- 7 SEE PUMP INSTRUCTIONS P/N 1125317 FOR ADDITIONAL INFORMATION ON INSTALLATION, STARTUP, AND MAINTENANCE.



| VICTAULIC® DIMENSIONS STANDARD 3" | | |
|--------------------------------------|---|---|
| INLET & DISCHARGE CONNECTIONS | | |
| ITEM | INCHES | MILLIMETERS |
| "A" | 0.625±0.031 | 15.88±0.78 |
| "B" | 0.312±0.031 | 7.94±0.78 |
| "C" | 3.500±0.031 | 88.90±0.78 |
| "G" | 3.344 ^{+0.000} _{-0.018} | 84.94 ^{+0.00} _{-0.46} |

| MODELS | | "D" | "E" | "F" |
|------------|------------|--------|--------|--------|
| 60HZ | 50HZ | INCHES | INCHES | INCHES |
| AS14006KZB | AS14006KZB | 31.05 | 48.19 | 25.05 |
| AS14008KZB | AS14008KZB | 38.62 | 55.76 | 32.62 |

| NEMA FRAME SIZE | "X" | | "Y" | |
|-----------------|--------|------|--------|------|
| | INCHES | [MM] | INCHES | [MM] |
| 254/256TC | 22.34 | 567 | 10.00 | 254 |

| REV | DESCRIPTION | ECO | DWN | APPR | APPR | DATE |
|-----|---|--------|-----|------|------|-----------|
| E | VEOLIA REBRANDING | 140586 | HP | NL | NL | 09 Jan 23 |
| D | SUEZ REBRANDING | 131562 | TG | SR | MS | 20 Sep 18 |
| C | SUCTION HEIGHT ADJUSTED | 15466 | GMK | SS | MG | 30JAN13 |
| B | CORRECTED TABLES, REVISED DIMENSIONS IN | 15205 | GMK | SS | MG | 09AUG12 |
| A | INITIAL RELEASE | 14826 | - | - | - | - |

TOLERANCES UNLESS NOTED
 DECIMALS .X 0.1
 ANGLES 2
 FRAC XX 0.03 XXX 0.010

CUSTOMER INFORMATION
 DWG,TF,OUTLINE,AS14000KZB,
 254/256TC NEMA MOTOR

| DRAWING NUMBER | | | | REVISION | |
|----------------|-------------|-------------------|-------|----------|--------|
| 1310575 | | | | E | |
| REF.: - | PROJECT NO. | PART/MATERIAL NO. | SCALE | SIZE | SHEET |
| | | | 1:4 | D | 1 OF 1 |