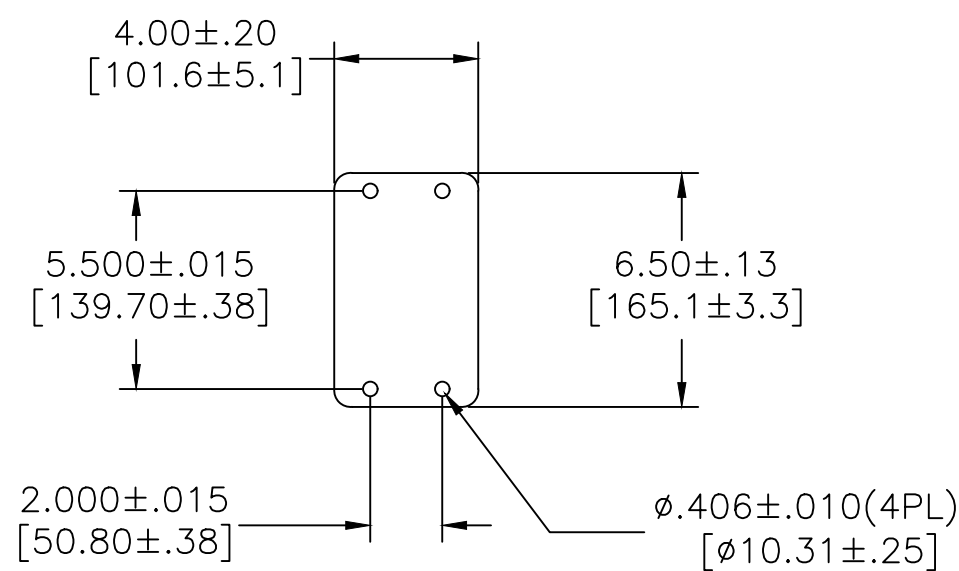
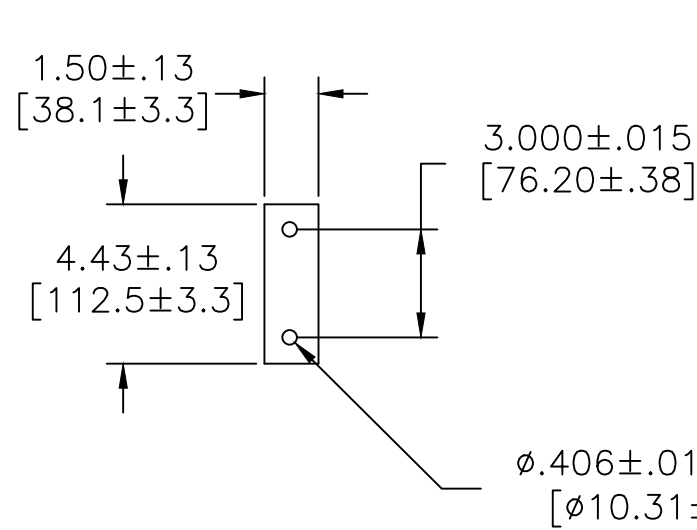
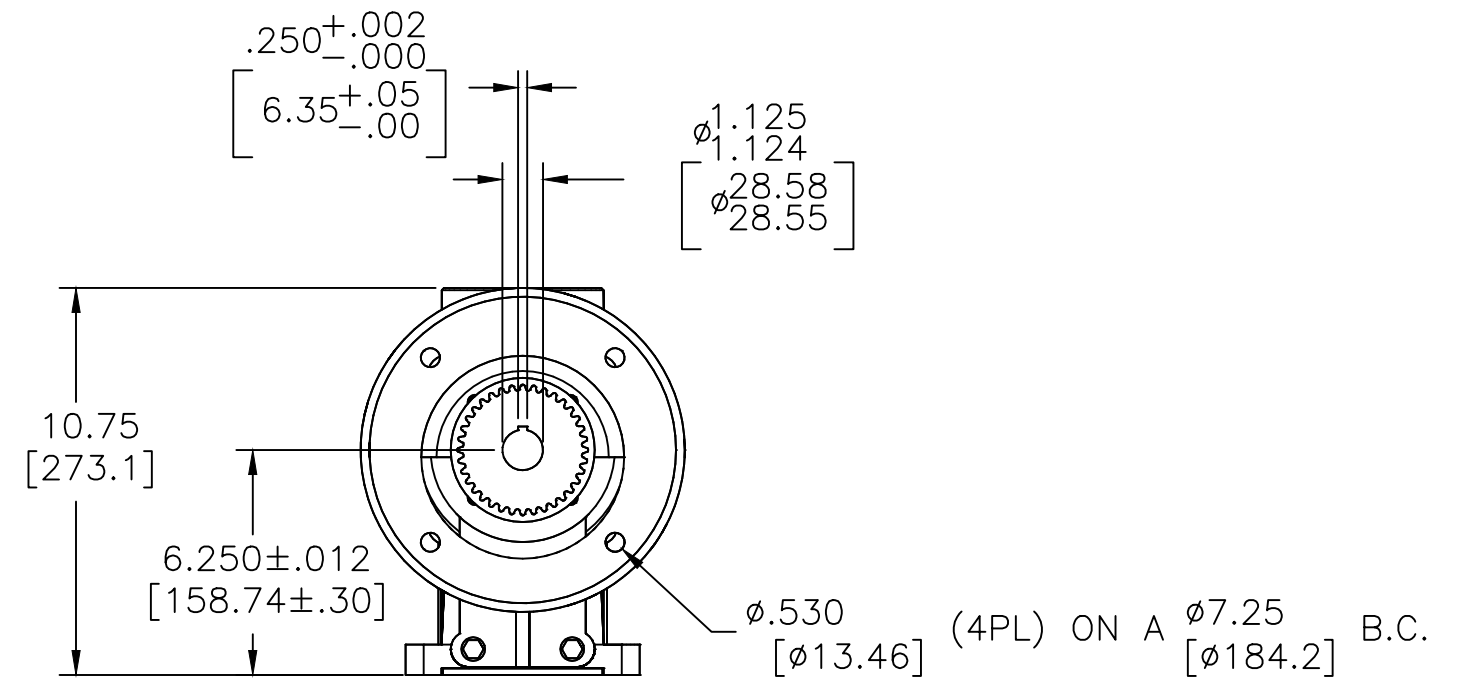
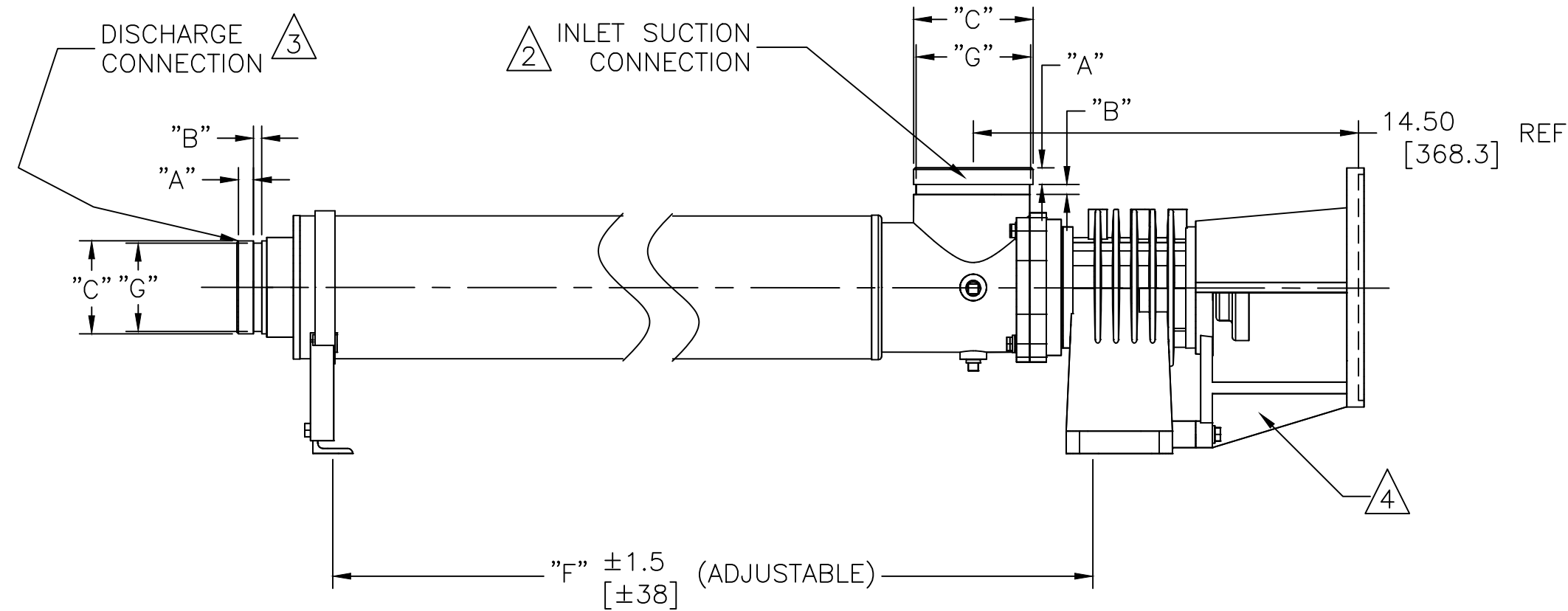
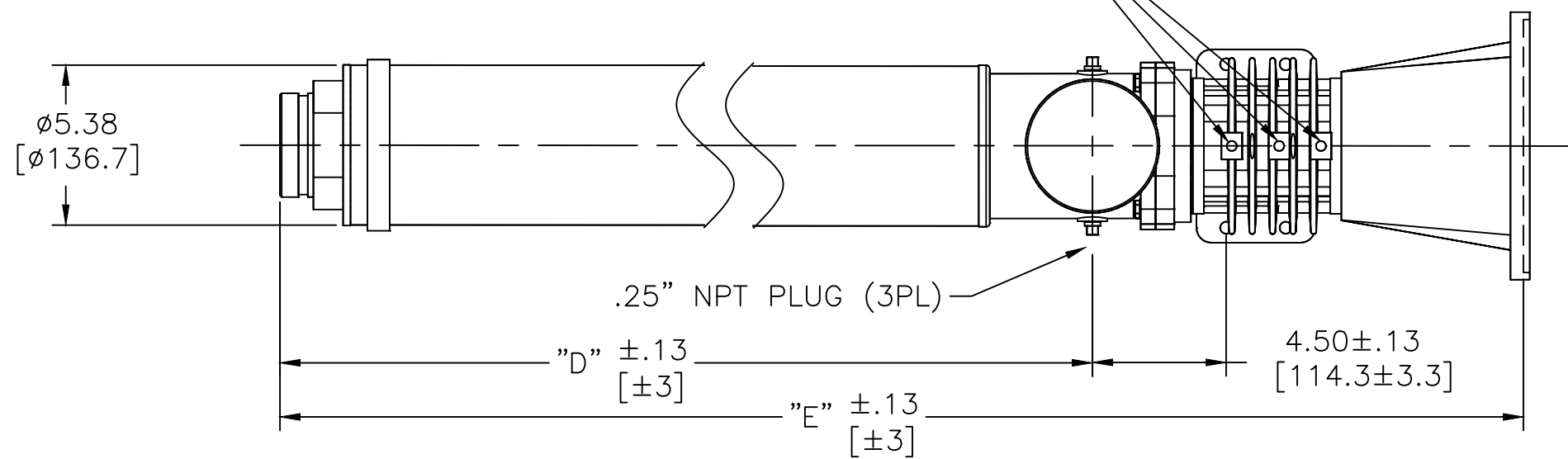


5 GREASE PORTS;
 LUBE CENTER FOR HORIZONTAL MOUNTING
 LUBE LEFT AND CENTER FOR VERTICAL MOUNTING, MOTOR DOWN
 LUBE RIGHT AND CENTER FOR VERTICAL MOUNTING, MOTOR UP



VICTAULIC® DIMENSIONS STANDARD 3" DISCHARGE CONNECTIONS			VICTAULIC® DIMENSIONS STANDARD 4" INLET CONNECTION		
ITEM	INCHES	MILLIMETERS	ITEM	INCHES	MILLIMETERS
"A"	.625±.031	15.88±.78	"A"	.625±.031	15.88±.78
"B"	.375±.031	9.53±.78	"B"	.375±.031	9.53±.78
"C"	3.500 ^{+.045} _{-.031}	88.90 ^{+.114} _{-.78}	"C"	4.500 ^{+.063} _{-.031}	114.30 ^{+.160} _{-.78}
"G"	3.334 ^{+.000} _{-.020}	84.68 ^{+.00} _{-.51}	"G"	4.334 ^{+.000} _{-.020}	110.08 ^{+.00} _{-.51}

60HZ	MODELS	"D"		"E"		"F"	
		INCHES	[MM]	INCHES	[MM]	INCHES	[MM]
SS24002D	SS24002D	16.08	408	30.79	782	NO SUPPORT	
SS24003D	SS24003D	20.38	517	35.09	891	20.00	508
SS24004D	SS24004D	24.68	626	39.39	1000	24.25	616

NOTES:

- DIMENSIONS ARE IN INCHES [MILLIMETERS].
- PUMP INLET CONNECTIONS MATE WITH 4-INCH VICTAULIC TYPE CLAMPED UNIONS. PUMP INLET MAY BE ROTATED IN 90° INCREMENTS.
- PUMP DISCHARGE CONNECTIONS MATE WITH 3-INCH VICTAULIC TYPE CLAMPED UNIONS.
- PUMP AND MOTOR ADAPTER WILL ACCEPT NEMA 213TC, 215TC, 254TC, 256TC FRAME ELECTRIC MOTORS AND A WOODS FLEXIBLE COUPLING. FLANGE IS TO BE MOUNTED FLUSH WITH THE END OF THE PUMP SHAFT, FOR BELT DRIVE PUMPS, THE BEARING SHAFT EXTENDS 1.75" BEYOND THE END OF THE BEARING FRAME HOUSING WITH MOTOR ADAPTER REMOVED.
- SEE PUMP INSTRUCTIONS P/N 1116531 FOR ADDITIONAL INFORMATION ON INSTALLATION, STARTUP, AND MAINTENANCE.

REV	DESCRIPTION	ECO	DWN	APPR	DATE	TOLERANCES UNLESS NOTED
D	VEOLIA REBRANDING	140586	HP	NL	09 Jan 23	DECIMALS ANGLES
C	SUEZ REBRANDING	131562	TG	SR	20 Sep 18	.X .1 2"
B	REDRAWN ON ACAD	3334	PFM	BJW	16 Feb 98	XX .03 FRAC
A	ADD Ø.406	-	RLH	-	04 May 94	XXX .010
REV	DESCRIPTION	ECO	DWN	APPR	DATE	



CUSTOMER INFORMATION

DWG, TF, OUTLINE
 SS24000 "D" SERIES PUMP

DRAWING NUMBER

1122833

REVISION

D

PROJECT NO.	PART/MATERIAL NO.	SCALE	SIZE	SHEET
		3/16" = 1"	C	1 OF 1